

Installation instructions for PZ4AL- 01160- 00

Toyota Hilux

Under run protective shield for transmission case and transfer box



Model Year: 2011/06; 2010/08

Vehicle Code: KUN25L-DRMDHW
KUN25L-DRMSHW
KUN25L-PRMSHW

Part Number: PZ4AL-01160-00

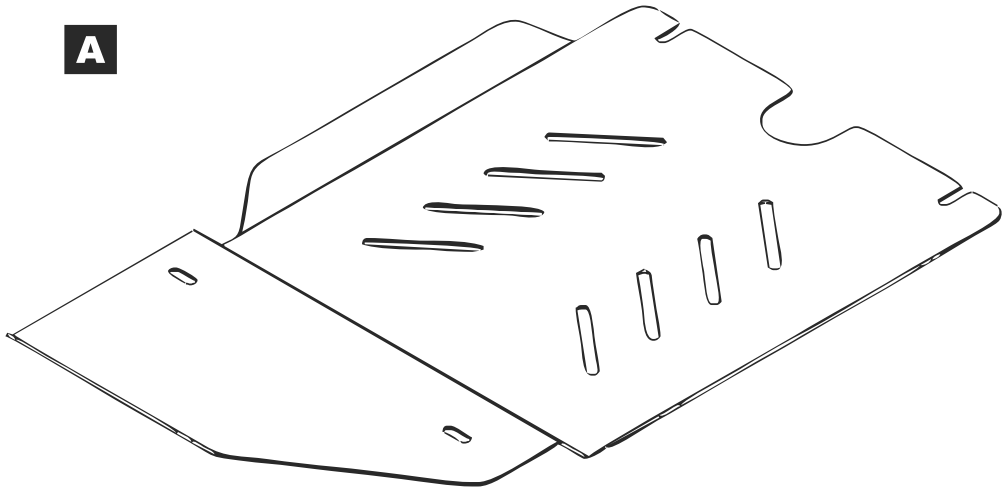


Weight: 6.4 kg



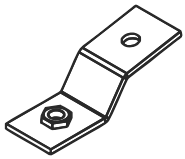
Installation Time: 20 min

A



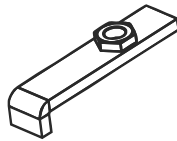
PZ4AL-01159-60

B



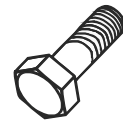
X 2

C



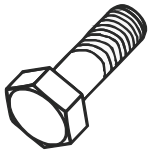
X 2

D1



2 x M 10x20

D2

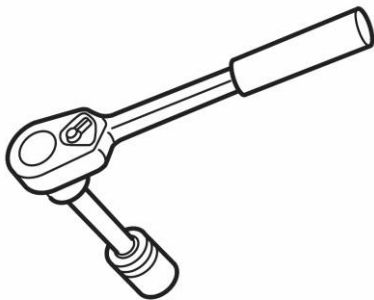


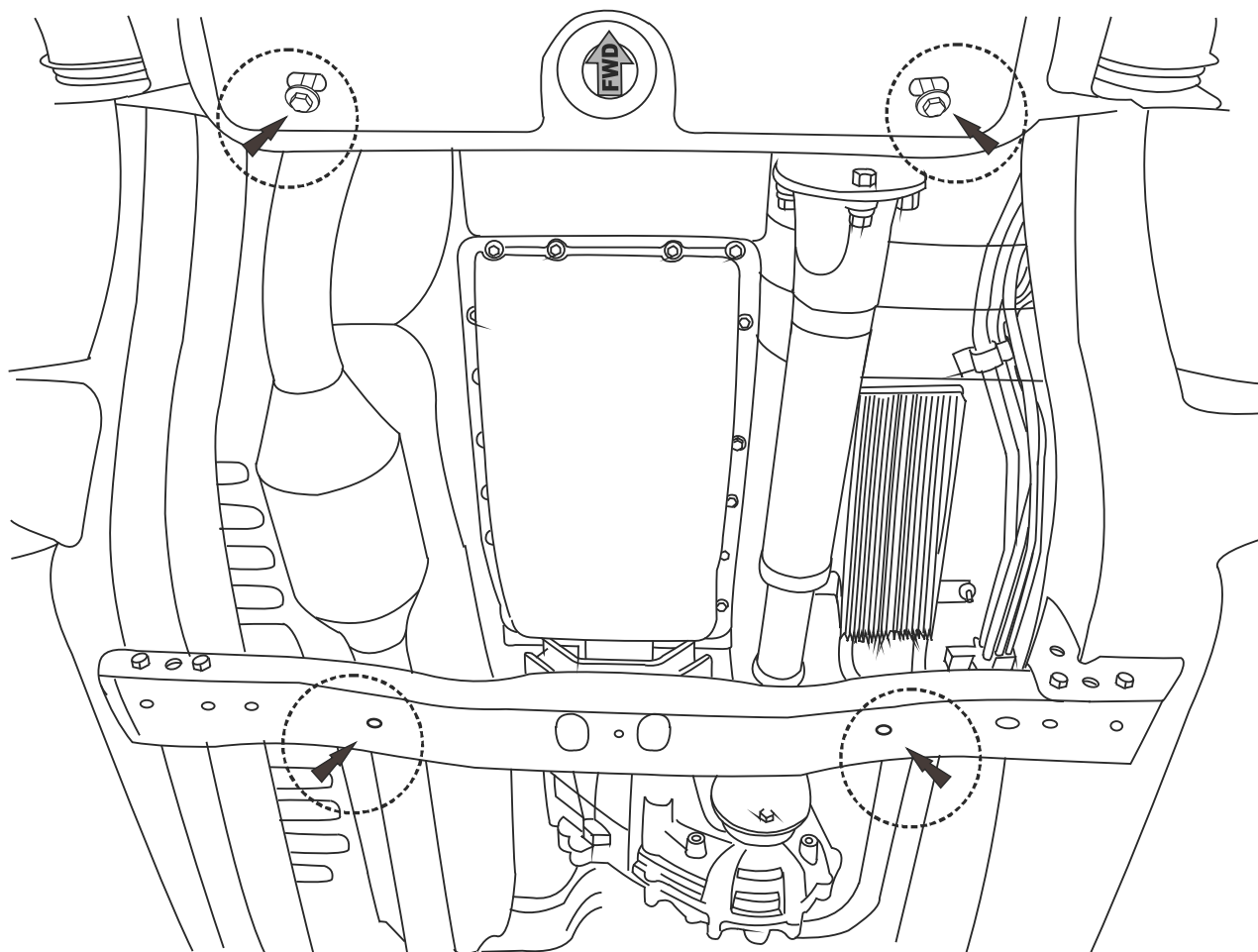
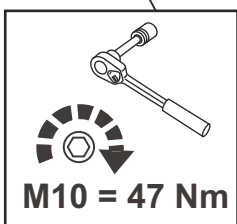
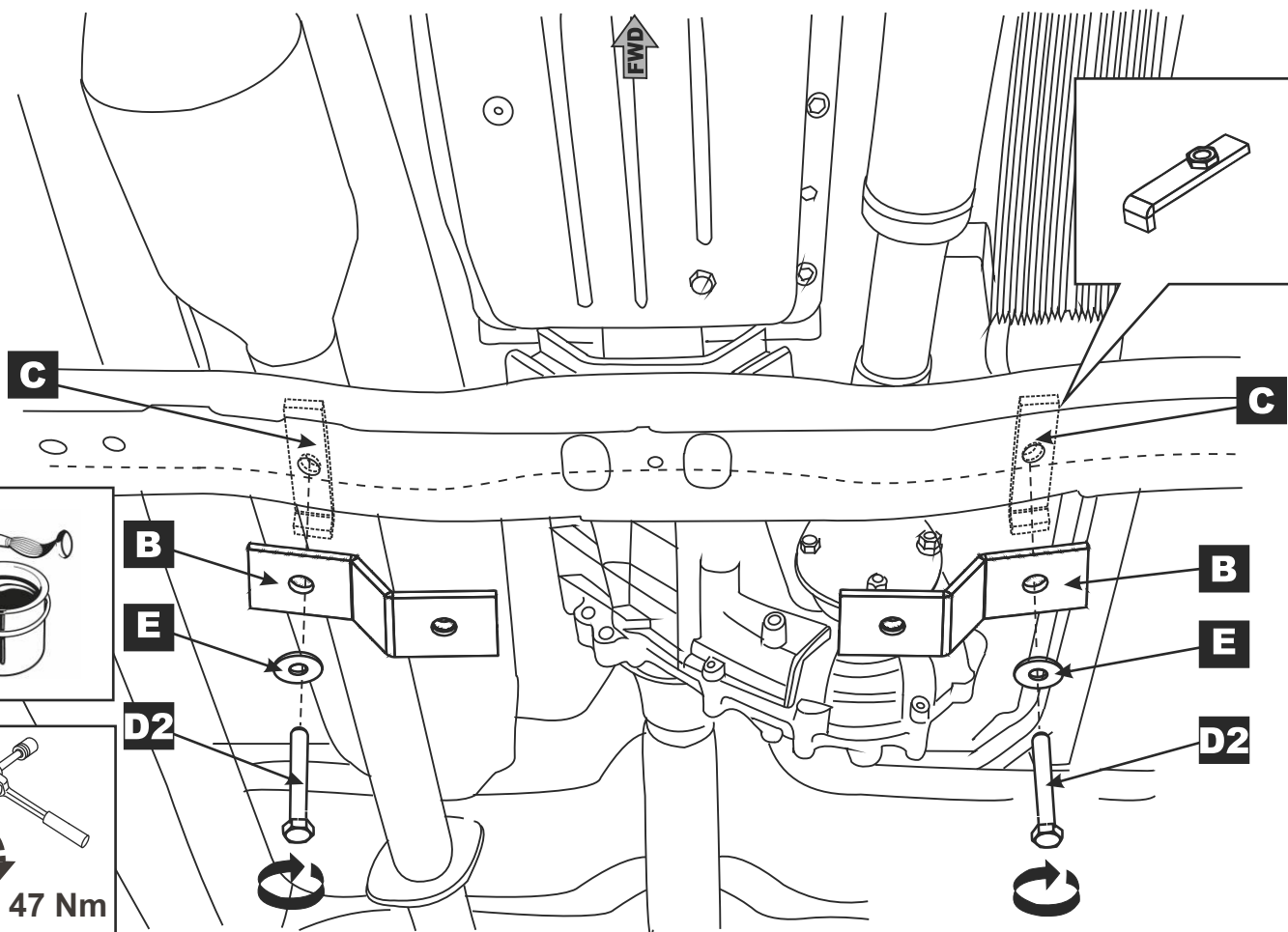
2 x M 10x70

E

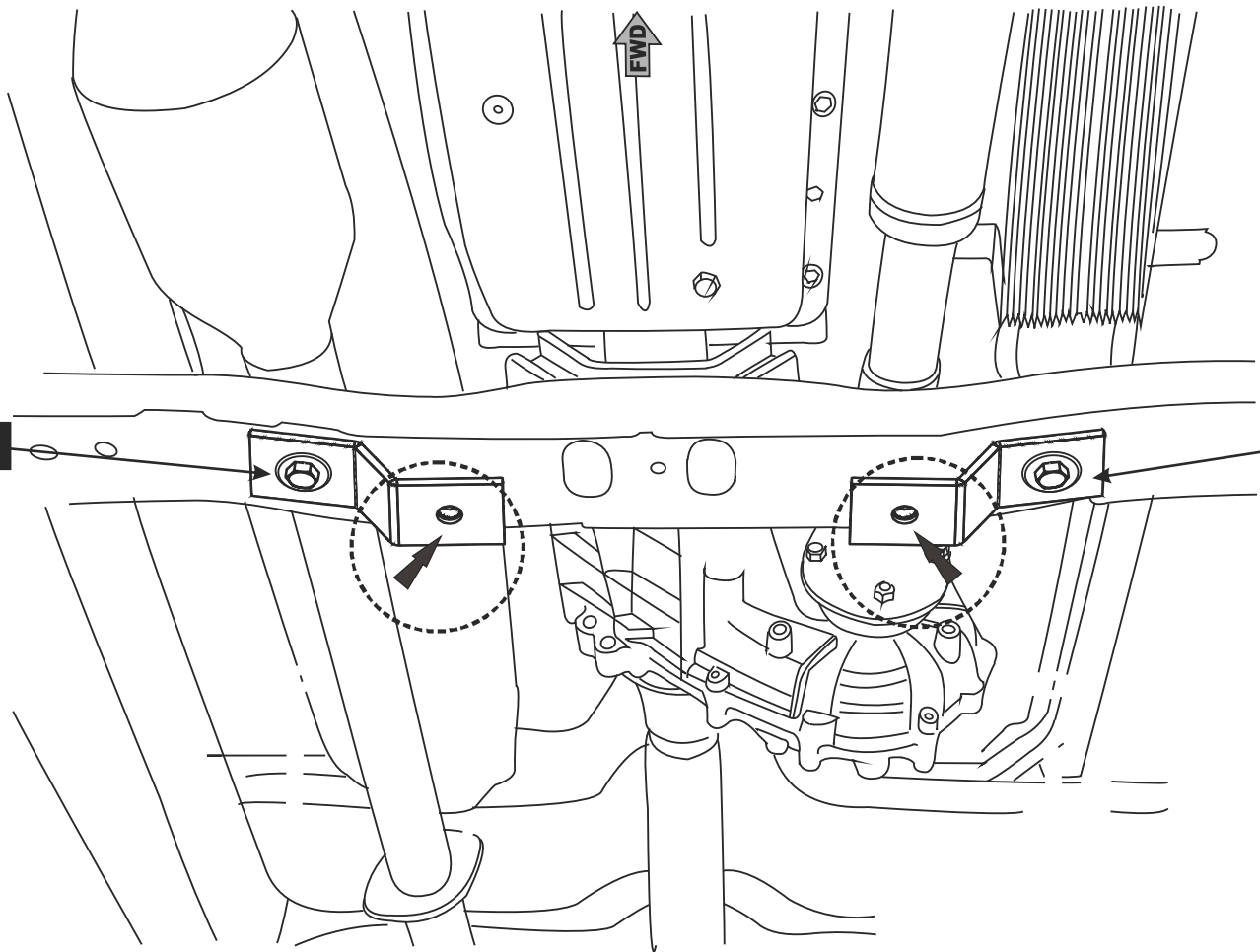


4 x Ø10

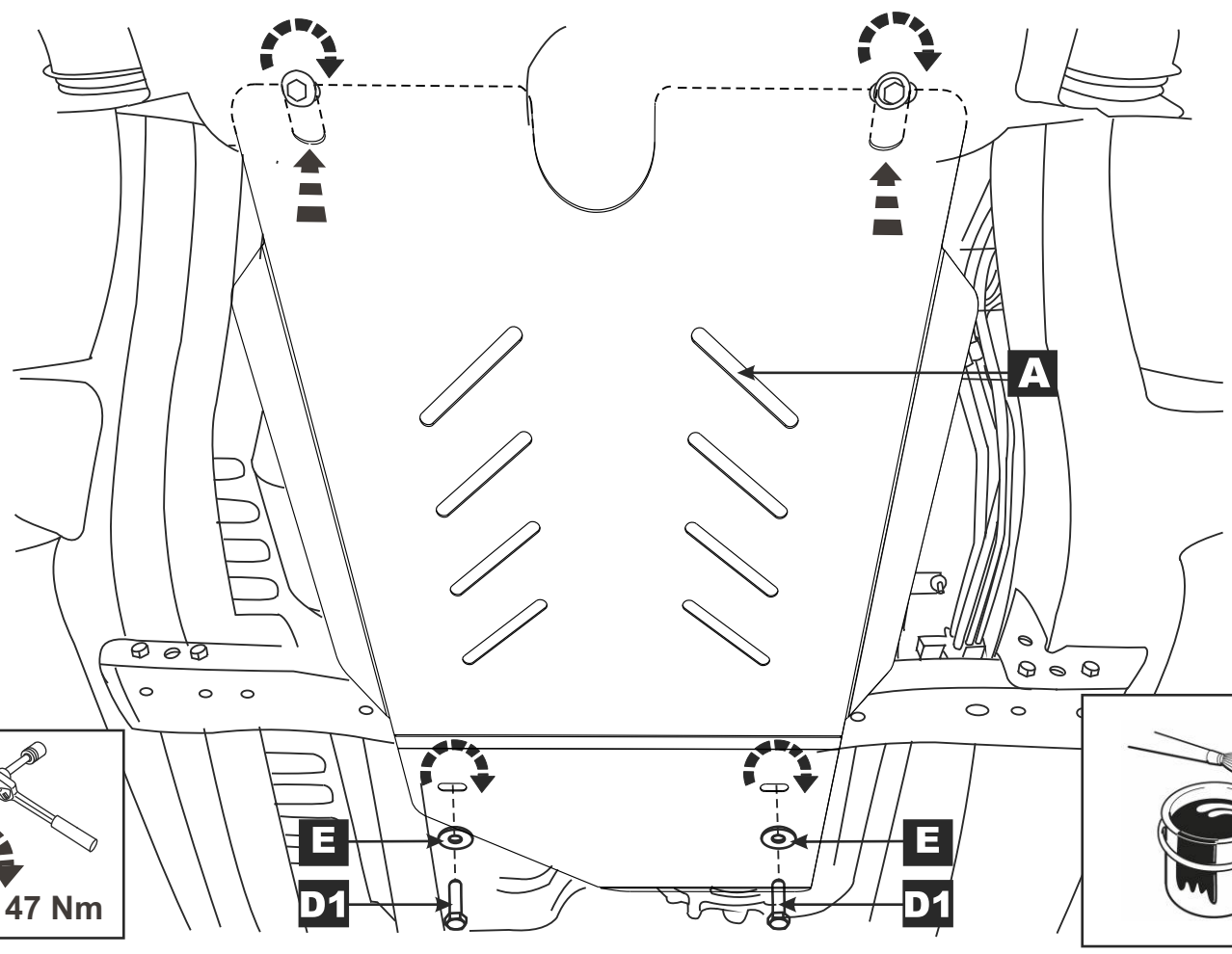


1**2**

3



4



M10= 47 Nm